

Product Description

Insulator strings are consist of dish insulators made of insulating materials such as glass, porcelain, or polymer. When the insulator string used in the horizontal, it is called a string insulator. The string insulators are usually used as dead end insulators.

A string insulator is used to sustain a considerable tensile load of the conductor in the dead-end or sharp curve of transmission lines, it must have enough mechanical strength and insulating resistance.

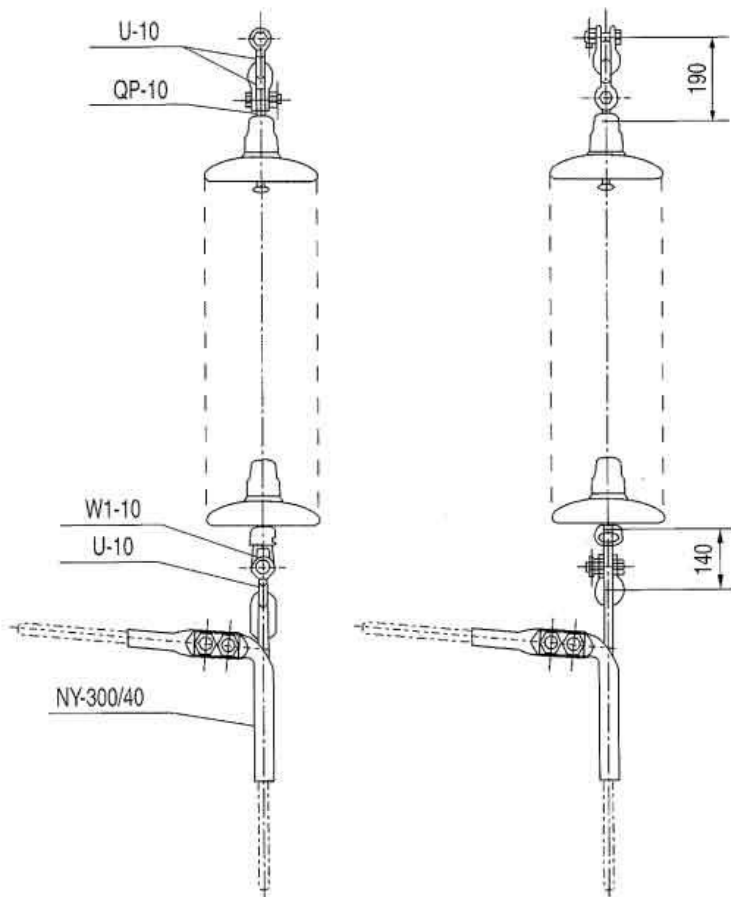
The insulator fittings are some small parts used with insulators. One full insulator string is consists of dish insulators and insulator sets, suspension clamp, tension clamp, and other fittings.

For low voltage lines such as a distribution line lower than 11kv, a shackle insulator can take its place.

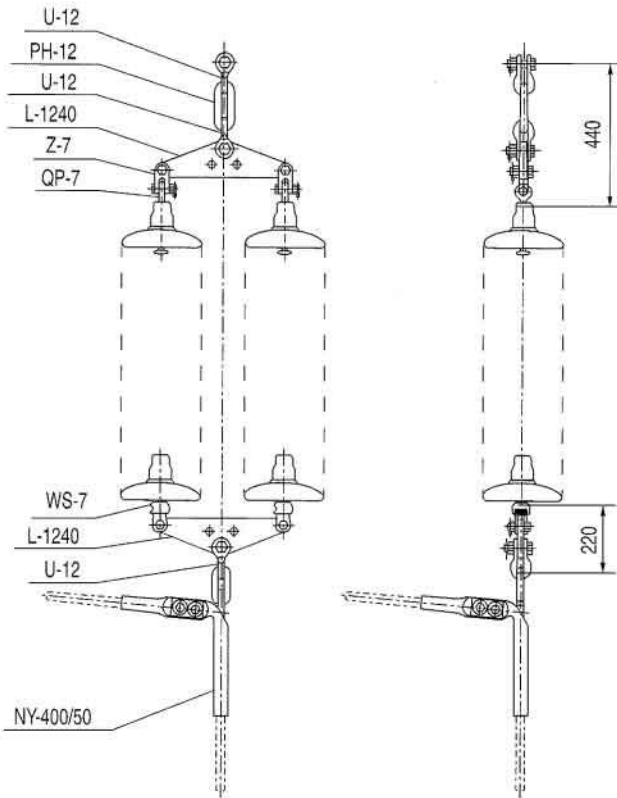
When an electrical insulator is needed for high voltage transmission lines, there must be an insulator string. The more disc insulators used in a string insulator, the higher voltage it can bear. When the tensile load is extremely high, two or more insulator strings shall be used to provide security.

To know more about the string insulators, please contact us now.

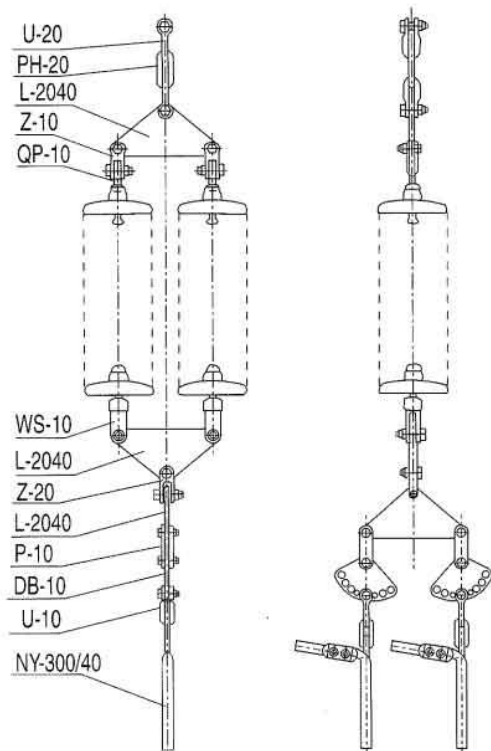
Single Tension String for One Conductor



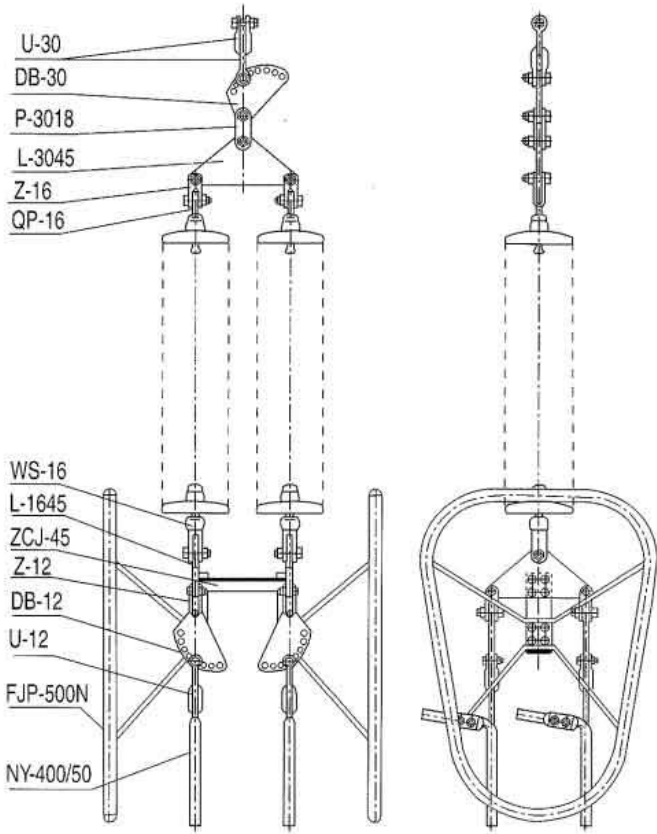
Double Tension Strings for One Conductor



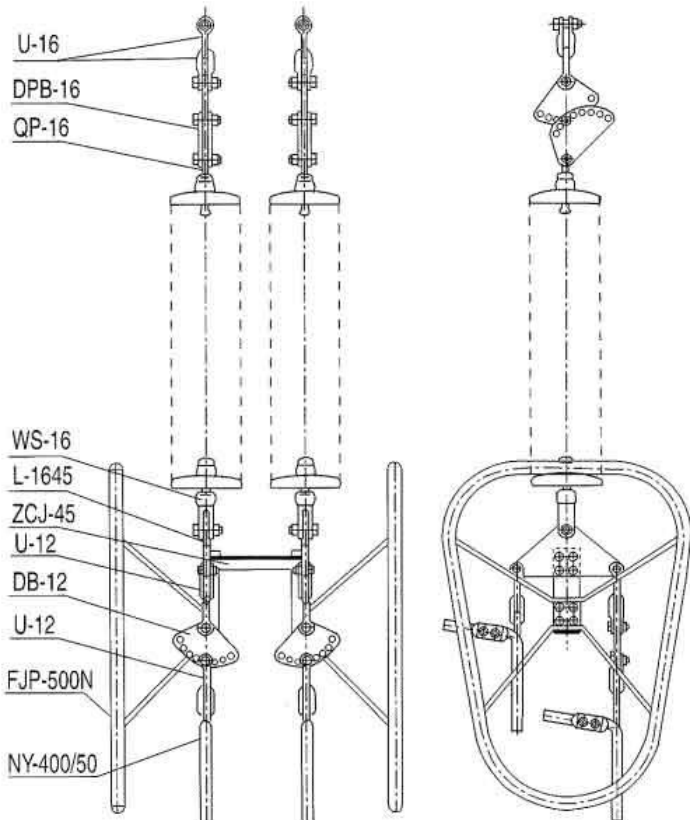
Double Tension Strings for Two-Bundle Conductor



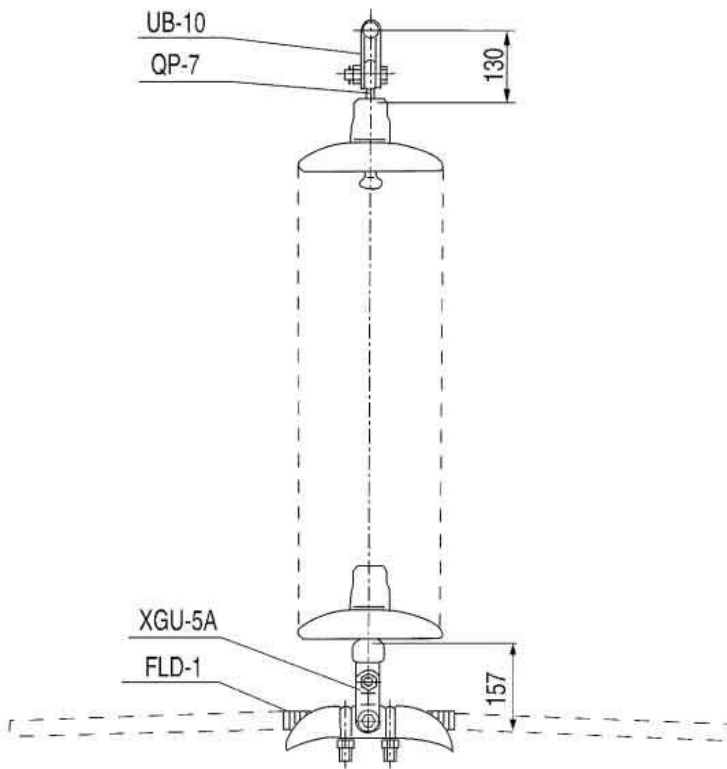
Double' Tension Strings for Four-Bundle Conductor



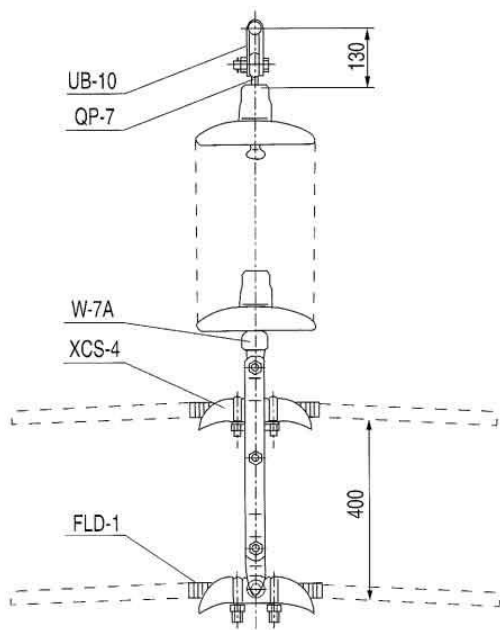
Double Hanging-point Double Strain Strings for Four-Bundle Conductor



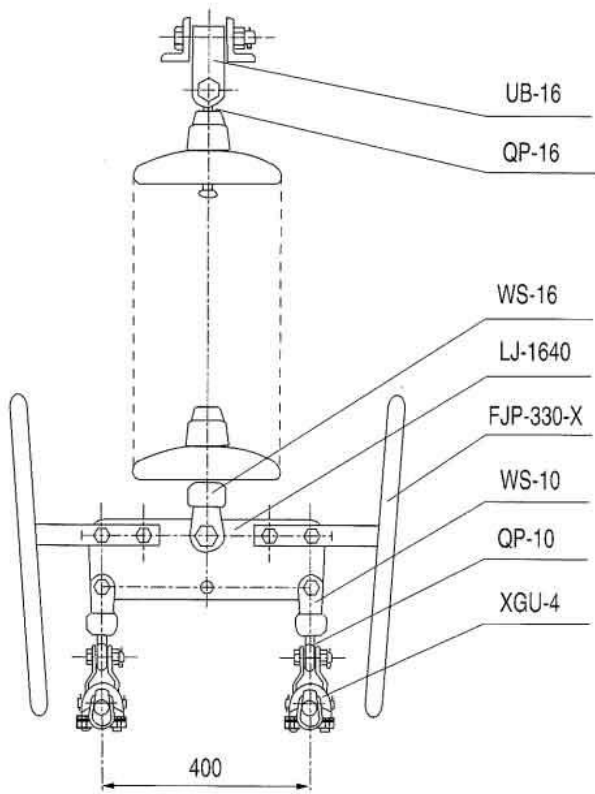
Single Suspension String for One Conductor



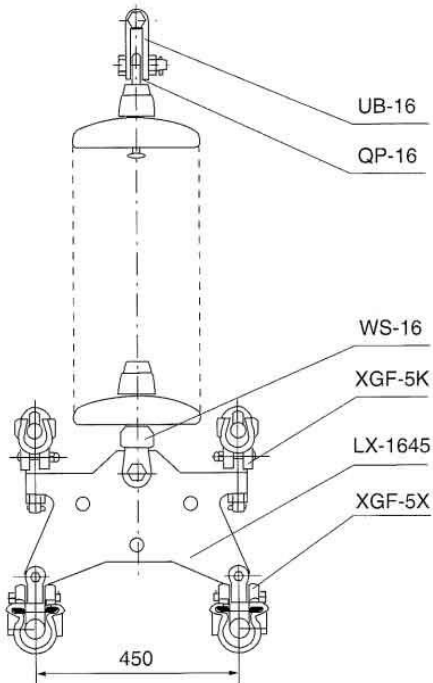
Single Suspension String for Two-Bundle Conductor



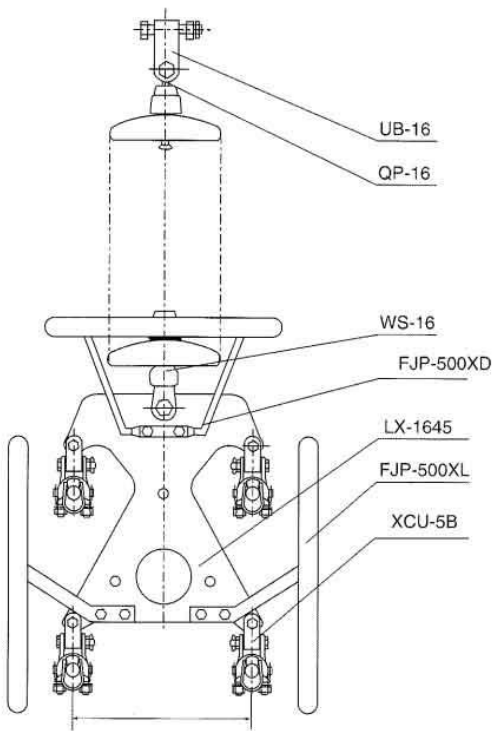
Single Suspension String for Two-Bundle Conductor



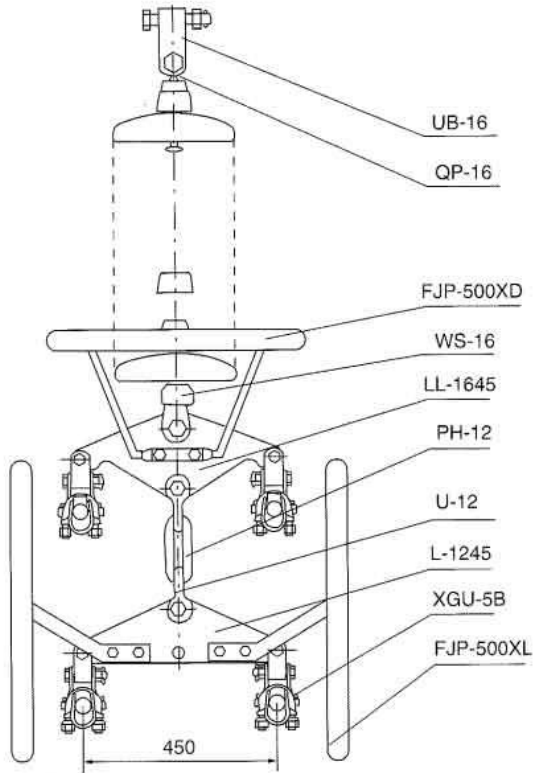
Single Suspension String for Four-Bundle Conductor(Using Yoke Plate with Type LK)



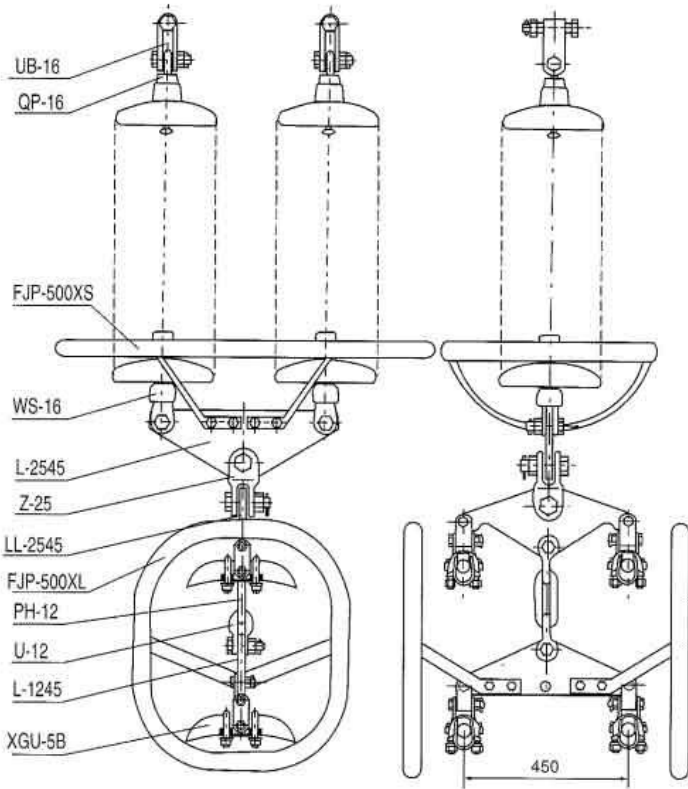
Single Suspension String for Four-Bundle Conductor(Using Yoke Plate with Type LX)



Single Suspension String for Four-Bundle Conductor(Using Combined Yoke Plate)



Double Suspension String for Four- Bundle Conductor



Double Suspension String for Four-Bundle Conductor(Corona-proof Clamp)

